



# Model 375

## Reduced Pressure Principle Assembly

### Application

Designed for installation on potable water lines to protect against both backsiphonage and backpressure of contaminated water into the potable water supply. The Model 375 provides protection where a potential health hazard exists. Ideal for use where lead-free\* valves are required.

### Standards Compliance

(Unless Otherwise Noted, Sizes 2 1/2" Thru 10")

- ASSE® Listed 1013
- IAPMO® Listed
- CSA® Certified B64.4 (2 1/2" thru 8")
- AWWA Compliant C511, and C550
- FM® Approved
- UL® Classified
- C-UL® Classified
- NYC MEA 49-01-M Vol 2
- Approved by the Foundation for Cross Connection Control and Hydraulic Research at the University of Southern California.

- Meets the requirements of NSF/ANSI 61\*
- \* (0.25% MAX. WEIGHTED AVERAGE LEAD CONTENT)

### Materials

Main valve body	Ductile Iron ASTM A 536
Access covers	Ductile Iron ASTM A 536
Coatings	NSF Approved fusion epoxy finish
Internals	Stainless steel, 300 Series NORYL™
Fasteners	Stainless Steel, 300 Series
Seal rings	EPDM (FDA approved)
O-rings	Buna Nitrile (FDA approved)
Springs	Stainless Steel, 300 Series
Sensing line	Stainless Steel, braided hose

### Features

Sizes:	2 1/2", 3", 4", 6", 8", 10"
Maximum working water pressure	175 PSI
Maximum working water temperature	140°F
Hydrostatic test pressure	350 PSI
End connections (Grooved for steel pipe)	AWWA C606
(Flanged)	ANSI B16.1
	Class 125



LEAD FREE



### Options

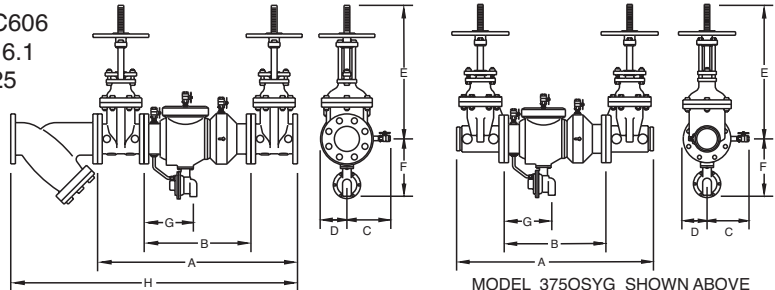
(Suffixes can be combined)

- with NRS shut-off valves (standard)
- FSC - with epoxy coated wye type strainer (flanged only)
- G - with grooved end NRS gate valves
- GF - with grooved inlet connection and flanged outlet connection
- FG - with flanged inlet connection and grooved outlet connection
- L - less shut-off valves (flanged body connections)
- MS - with Integral Relief Valve Monitor Switch
- OSY - with OS&Y gate valves
- PI - with Post Indicator gate valve
- BG - with grooved end butterfly valves with integral supervisory switches
- 509 - with AWWA C509 gate valves

### Accessories

- Repair kit (rubber only)
- Thermal expansion tank (Model XT)
- OS & Y Gate valve tamper switch (OSY-40)
- Air gap (Model AG)
- Electronic Solenoid Timer (Model EST)
- QT-SET Quick Test Fitting Set

Relief Valve discharge port:  
 2 1/2" - 6" - 2.75 sq. in.  
 8" - 10" - 3.69 sq. in.



MODEL 375OSYG SHOWN ABOVE

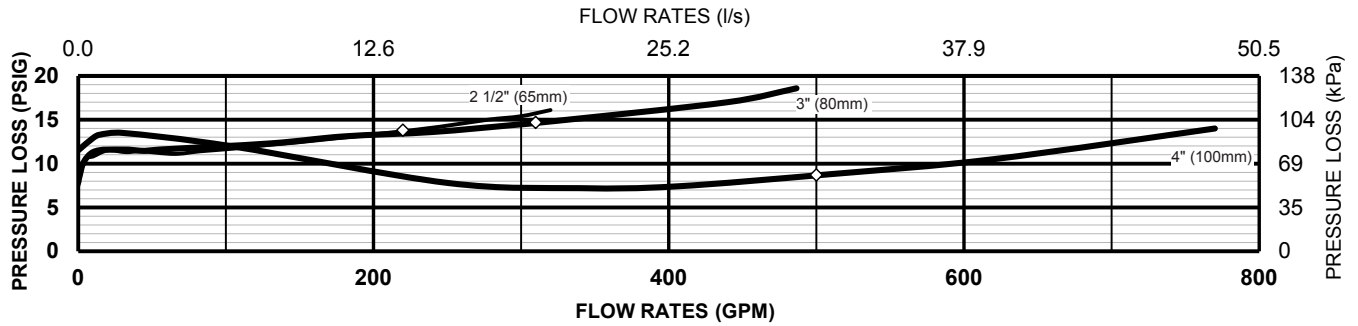
### Attention:

Model 375 (flange body) and Model 375A (grooved body) have different lay lengths.

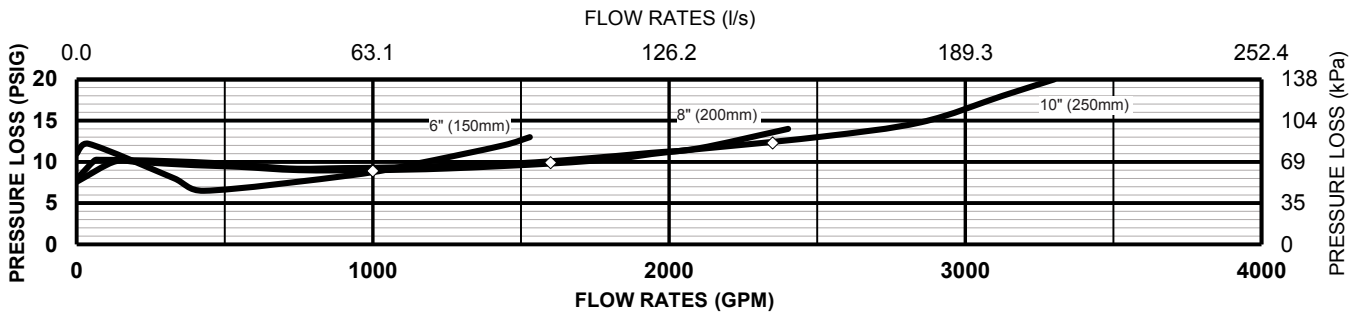
### Dimensions & Weights (do not include pkg.)

MODEL 375 SIZE	DIMENSION (approximate)																WEIGHT																				
	A		A WITH BUTTERFLY VALVES		B LESS GATE VALVES		C		D		E OS&Y OPEN		E OS&Y CLOSED		E NRS GATE		E WITH BUTTERFLY VALVES		F		G		H		LESS SHUT-OFF VALVES	NRS GATE VALVES FLANGED	NRS GATE VALVES GROOVED	OS&Y GATE VALVES FLANGED	OS&Y GATE VALVES GROOVED	BUTTERFLY VALVES GROOVED							
	in.	mm	in.	mm	in.	mm	in.	mm	in.	mm	in.	mm	in.	mm	in.	mm	in.	mm	in.	mm	in.	mm	in.	mm	in.	mm	in.	mm	in.	mm	in.	mm					
2 1/2	65	31	787	28	711	15 7/8	403	7 1/4	184	3 3/4	95	17 3/4	451	15 3/8	391	11 1/2	292	8 1/4	210	9 1/2	241	8 3/8	213	41 1/4	1048	60	27	162	73	144	65	170	77	152	69	132	60
3	80	32	813	28 1/2	724	15 7/8	403	7 1/4	184	3 3/4	95	20 1/4	514	17	432	12 3/4	324	8 1/2	216	9 1/2	241	8 3/8	213	42 3/4	1086	60	27	184	83	154	70	190	86	142	64	112	51
4	100	37 5/8	956	32 8/9	835	19 1/2	495	8	203	4 1/2	114	22 1/2	572	18 1/4	464	14 1/2	368	9	229	11	279	9 1/4	235	52 3/4	1340	98	44	278	126	260	118	288	131	274	124	182	83
6	150	44 3/4	1137	37 5/8	956	23 1/2	597	10	254	6	152	30 1/2	775	24 1/4	616	18	457	10 1/4	260	12 3/8	314	10 3/4	273	62 3/4	1594	175	79	459	208	431	196	475	215	449	204	293	133
8	200	60 3/4	1543	53 7/8	1369	37 3/4	959	11	279	10	254	37	940	28 1/2	724	21 1/8	537	12	305	15 3/8	391	16 3/4	425	85	2159	377	171	829	376	795	361	853	387	805	365	551	250
10	250	63 3/4	1619	57 7/8	1470	37 3/4	959	11	279	10	254	45 5/8	1159	34 3/4	883	24 3/4	629	13	330	15 3/8	391	16 3/4	425	93 1/4	2369	407	185	1167	529	1101	499	1225	556	1159	526	795	361

**MODEL 375 2 1/2", 3" & 4" (STANDARD & METRIC)**



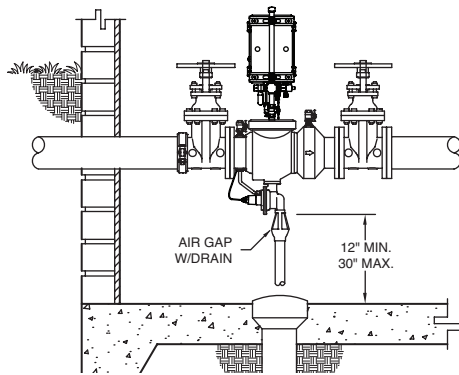
**MODEL 375 6", 8" & 10" (STANDARD & METRIC)**



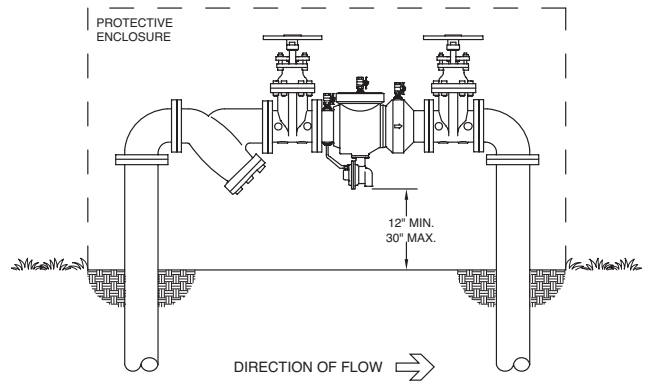
**Typical Installation**

Local codes shall govern installation requirements. Unless otherwise specified, the assembly shall be mounted at a minimum of 12" (305mm) and a maximum of 30" (762mm) above adequate drains with sufficient side clearance for testing and maintenance. The installation shall be made so that no part of the unit can be submerged.

Capacity thru Schedule 40 Pipe (GPM)				
Pipe size	5 ft/sec	7.5 ft/sec	10 ft/sec	15 ft/sec
2 1/2"	75	112	149	224
3"	115	173	230	346
4"	198	298	397	595
6"	450	675	900	1351
8"	780	1169	1559	2339
10"	1229	1843	2458	3687
12"	1763	2644	3525	5288



INDOOR INSTALLATION (375GF)



OUTDOOR INSTALLATION

**Specifications**

The Reduced Pressure Principle Backflow Prevention Assembly shall be certified to NSF/ANSI 61, ASSE® Listed 1013, and supplied with full port gate valves. The main body and access cover shall be epoxy coated ductile iron (ASTM A 536), the seat ring and check valve shall be NORYL™, the stem shall be stainless steel (ASTM A 276) and the seat disc elastomers shall be EPDM. The checks and the relief valve shall be accessible for maintenance without removing the device from the line. The Reduced Pressure Principle Backflow Prevention Assembly shall be a ZURN WILKINS Model 375.